

LEVI 45

The LEVI 45 is a levitation device consisting of 2 parts; a base module and a carrier. The base module is the octagonal non-floating part containing the technology. It has an optical sensor and needs electric power. The floating part is a magnetic disc, which is called the carrier. The carrier serves as a floating plateau on which you can place an object. It can also be integrated into the presentation object.

The LEVI 45 has a maximum levitation height of 45 mm and is capable of carrying loads of up to 1 kg.

Specs

Carrier (floating disc):
 Height: 13 mm (0.5")
 Diameter: 124 mm (4.9")
 Weight: 320 gr (0.7 Lb)

Module (base):
 Height: 15 mm (0.6")
 Width/Length: 202 mm (7.9")
 Weight: 1500 gr (3.3 Lb)

LEVI 45 MAIN FEATURES

- High levitation height
- Excellent stability
- Easy to operate
- Robust optical sensing system
- Power efficient

The LEVI 45 is activated by inserting the power plug into the mains. Support the carrier with your fingertips, rubber side down. Hold it over the base and centre it straight above the sensor until "lock" occurs and releases the carrier. The presentation object can be placed on top of the carrier. Keep the centre of gravity in the middle and as low as possible. In order to achieve an optimal levitation set-up.

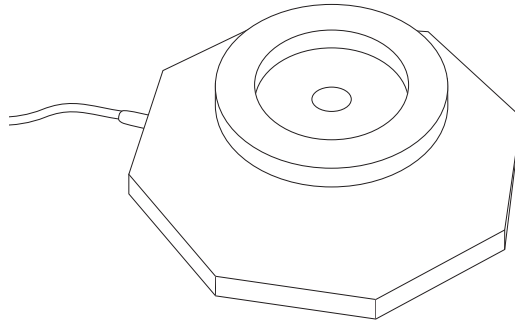
ELECTRICAL REQUIREMENTS & SAFETY


Connection: Two-pin EU standard electrical plug
 (US power plug optional)
 Adaptor Voltage input (AC): 100-240V
 Voltage output: 18V
 Current: 2A peak
 Power consumption (rest position): <4 W

Both carrier and base contain powerful magnets. Magnetos therefore advises that magnetic sensitive devices such as credit cards are kept at a distance of at least 25 mm (1") from the device.

Load - Levitation Height

0 grams (0 Lb)	45 mm (1.8")
500 grams (1.6 Lb)	24 mm (0.9")
1000 grams / 1 Kg (3.3 Lb)	18 mm (0.7")



45 mm floating height (max)
 middle weight  (max 1 kg)

